

CAM



Single inlet, high pressure centrifugal fans with sheet steel casing and cast aluminum impeller



Fan:

- Sheet steel casing.
- Cast aluminium and sheet steel impellers in models 752, 880 and 980.

Motor:

- Motors with IE3 efficiency for powers equal to or greater than 0.75kW, except single-phase, 2-speed and 8-pole.
- Class F motors with ball bearings and IP55 protection.
- Three-phase 230/400 V 50 Hz (up to 4 kW) and 400/690 V 50 Hz (powers greater than 4 kW).
- Maximum temperature of air to be carried: -20 °C +120 °C.

Finishing:

- Anti-corrosive finish in polyester resin, polymerised at 190 °C, after degreasing with phosphate-free nanotechnology treatment.

On request:

- Special windings for different voltages.
- Fan prepared to transport air up to +250 °C.
- Stainless steel fan.
- ATEX certified Category 2.



Extremely robust, high performance impellers

Order code



CAM: Single inlet, high pressure centrifugal fans with sheet steel casing and cast aluminum impeller

Impeller size

Number of motor poles
2=2900 r/min 50 Hz

T=Three-phase

Motor power (HP)

Technical characteristics

Model	Speed (r/min)	Maximum admissible current (A)			Installed power (kW)	Maximum flow rate (m³/h)	Sound pressure level dB(A)	Approx. weight (Kg)	According ErP
		230V	400V	690V					
CAM-540-2T IE3	2875	5.34	3.07		1.50	2430	85	42	2015
CAM-545-2T-3 IE3	2910	7.32	4.21		2.20	2300	86	59	2015
CAM-545-2T-4 IE3	2910	10.00	5.77		3.00	3610	88	68	2015
CAM-550-2T-5.5 IE3	2900	13.00	7.50		4.00	2800	90	122	2015
CAM-550-2T-7.5 IE3	2930		10.10	5.86	5.50	5000	91	152	2015
CAM-752-2T-7.5 IE3	2930		10.10	5.86	5.50	2950	93	161	2015
CAM-752-2T-10 IE3	2930		14.10	8.17	7.50	5000	94	139	2015
CAM-760-2T-10 IE3	2930		14.10	8.17	7.50	2900	95	164	2015
CAM-760-2T-15 IE3	2945		20.00	11.60	11.00	5000	97	228	2015
CAM-760-2T-15/E IE3	2945		20.00	11.60	11.00	6380	98	226	2015
CAM-880-2T-40 IE3	2960		54.50	31.60	30.00	10000	99	420	2015
CAM-980-2T-60 IE3	2960		77.50	44.90	45.00	11390	92	580	Excluded



Erp. (Energy Related Products)

Information on Directive 2009/125/EC can be downloaded from the SODECA website or the QuickFan selector programme.

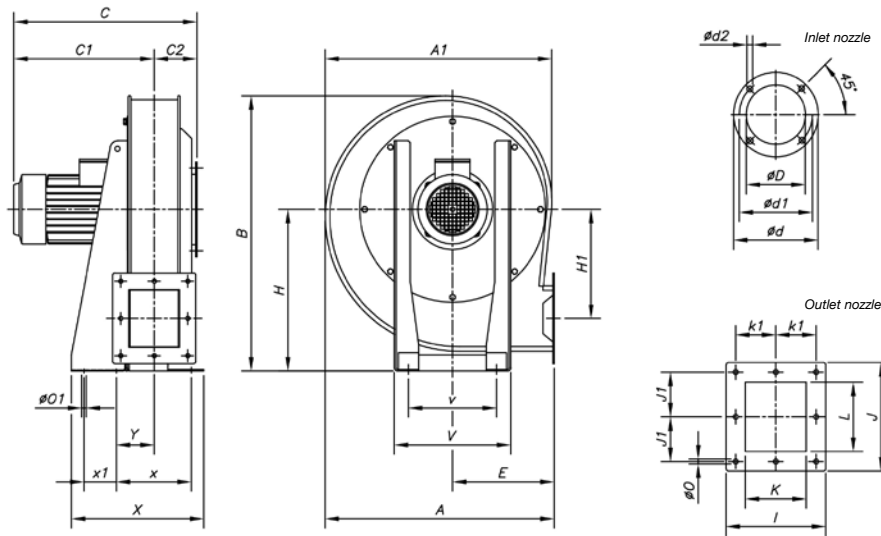
Acoustic characteristics

Sound power spectrum Lw(A) in dB(A) per Hz frequency band.

	63	125	250	500	1000	2000	4000	8000		63	125	250	500	1000	2000	4000	8000
540	57	70	81	90	97	91	86	78	752-10	67	81	92	101	108	102	96	89
545-3	58	71	82	91	98	92	87	79	760-10	70	83	95	103	110	105	99	91
545-4	60	73	84	93	100	94	89	81	760-15	72	85	97	105	112	107	101	93
550-5.5	63	77	88	97	104	98	92	85	760-15/E	73	86	98	106	113	108	102	94
550-7.5	64	78	89	98	105	99	93	86	880	75	89	100	109	116	110	104	97
752-7.5	66	80	91	100	107	101	95	88	980	86	88	96	100	107	104	99	91

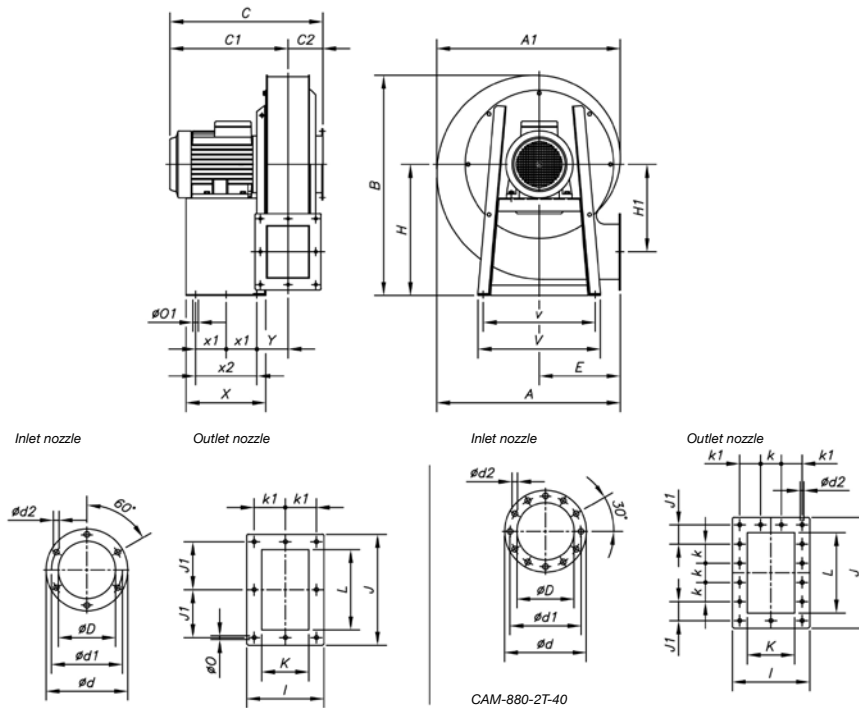
Dimensions mm

CAM-540...545



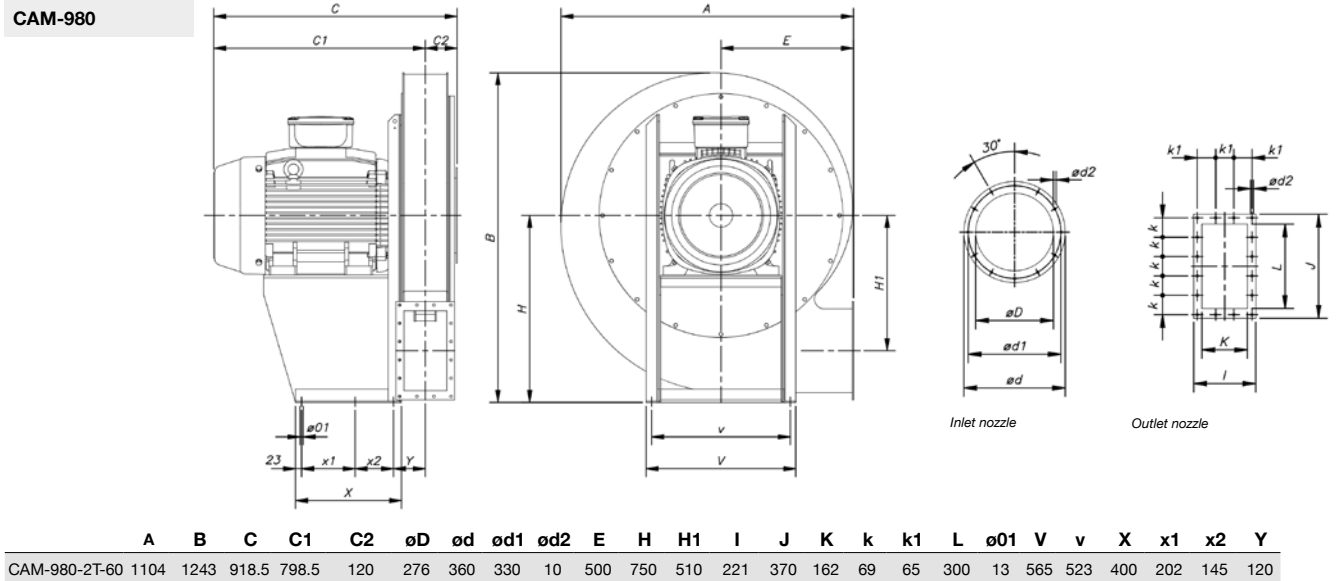
	A	A1	B	C	C1	C2	øD	ød	ød1	ød2	E	H	H1	I	J	J1	K	k1	L	øO	øO1	V	v	X	x	x1	Y
CAM-540-2T	568	562	681	454	348	106	170	235	205	11	252	400	270	206	224	92	120	83	140	10	12	288	218	328	186	80	94
CAM-545-2T-3	654	644	772	474	355.5	118.5	165	235	205	11	290	450	310	222	255	108	135	90	170	10	12	300	238	344	202	80	102.5
CAM-545-2T-4	654	644	772	504	385.5	115.5	165	235	205	11	290	450	310	222	255	108	135	90	170	10	12	300	238	344	202	80	102.5

CAM-550...880



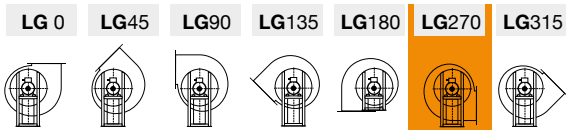
	A	A1	B	C	C1	C2	øD	ød	ød1	ød2	E	H	H1	I	J	J1	K	k	k1	L	øO	øO1	V	v	X	x1	x2	Y
CAM-550-2T-5.5	719	715	868	552	416	136	210	278	258	9	311	510	350	246	296	128	150	-	103	200	11	13	475	435	279	210	210	115.5
CAM-550-2T-7.5	719	715	868	590	454	136	210	278	258	9	311	510	350	246	296	128	150	-	103	200	11	13	475	435	310	210	210	115.5
CAM-752-2T-7.5	713	713	856	594	459	135	217	278	258	9	315	510	340	256	296	128	160	-	108	200	11	13	475	435	390	210	210	121
CAM-752-2T-10	713	713	856	594	459	135	217	278	258	9	315	510	340	256	296	128	160	-	108	200	11	13	475	435	390	210	210	121
CAM-760-2T-10	837.5	833.5	975	616	462	147	212	322	280	9.5	370	570	380	276	316	138	180	-	118	220	11	13	570	525	450	202.5	405	74.5
CAM-760-2T-15	837.5	833.5	975	736	589.5	147	212	322	280	9.5	370	570	380	276	316	138	180	-	118	220	11	13	570	525	450	202.5	405	74.5
CAM-760-2T-15/E	837.5	833.5	975	736	589.5	147	212	322	280	9.5	370	570	380	276	316	138	180	-	118	220	11	13	570	525	450	202.5	405	74.5
CAM-880-2T-40	945	939	1167	905	771	134	290	390	355	10	422	710	430	249	360	61	190	71	76	290	11	13	565	523	480	210	420	133

Dimensions mm



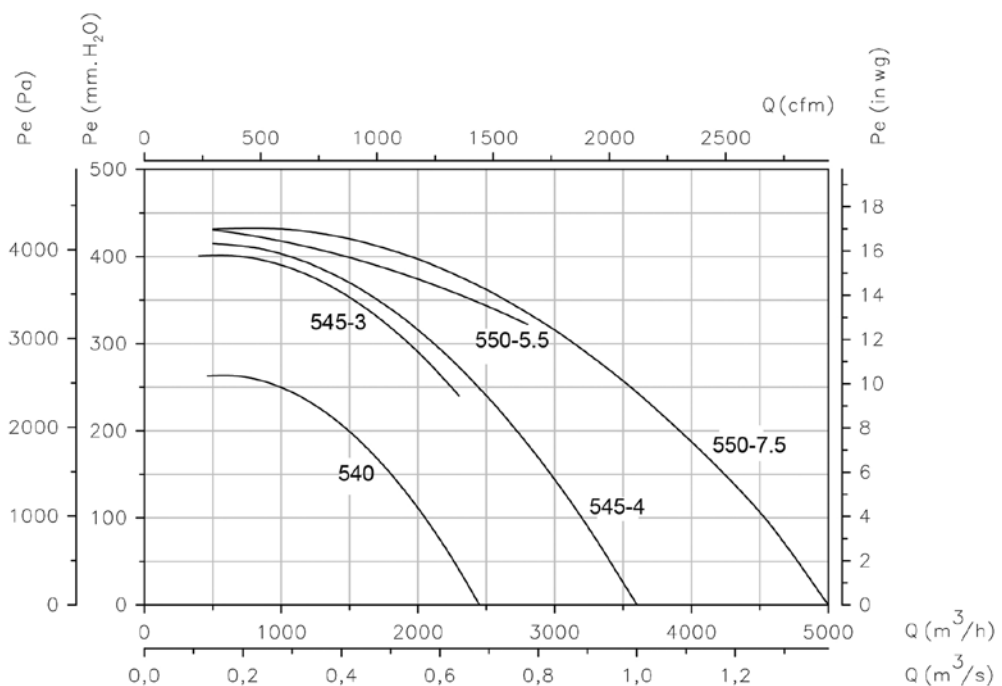
Orientations

Standard supply LG 270
 LG 180 position on request and with special anchoring measurements.



Characteristic curves

Q= Flow rate in m³/h, m³/s and cfm Pe= Static pressure in mm H₂O, Pa and inwg

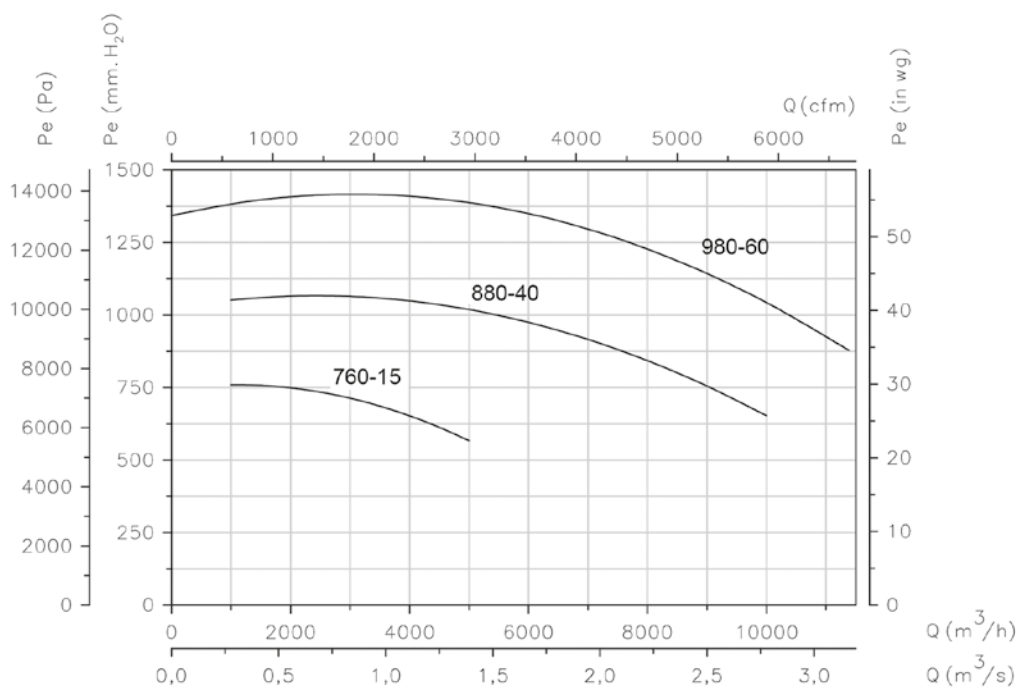
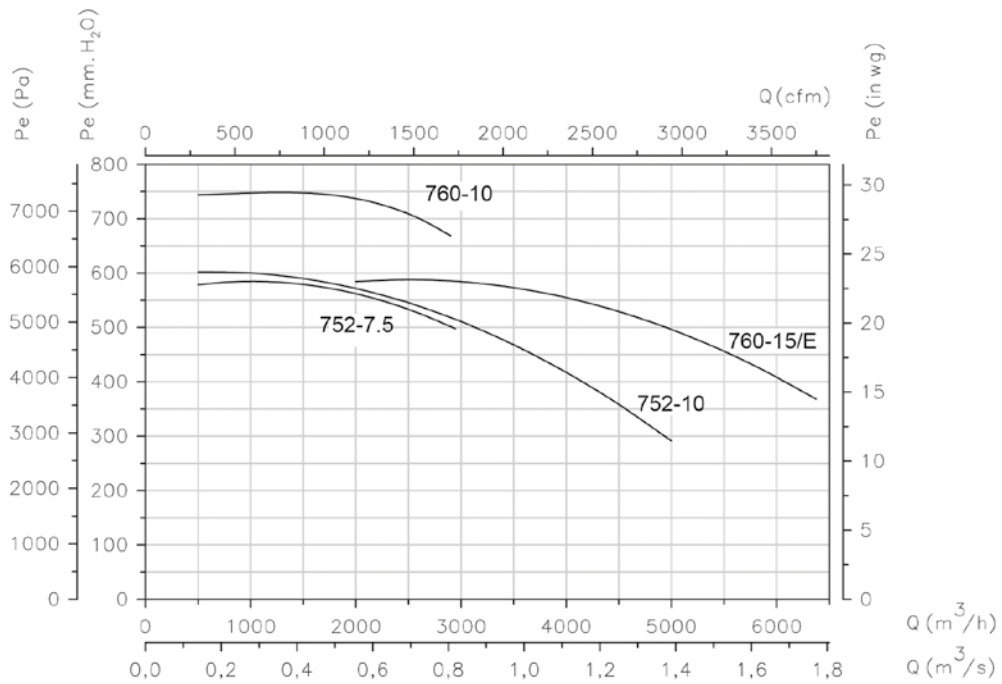


SMALL SERIES

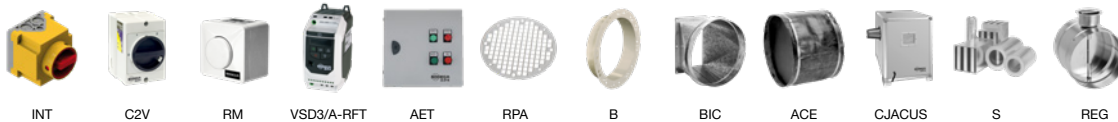
Characteristic curves

Q= Flow rate in m³/h, m³/s and cfm

Pe= Static pressure in mm H₂O, Pa and inwg



Accessories



INT

C2V

RM

VSD3/A-RFT

AET

RPA

B

BIC

ACE

CJACUS

S

REG