

CJBDT

Extract units with direct drive, to work inside the fire zone 400 °C/2h and 300 °C/2h



400 °C/2h extractor fan units and double inlet centrifugal extractor fans with direct drive motors for immersed operation in fire risk zones. With the option of a single-phase motor.

Fan:

- Galvanized steel sheet casing.
- Forward curved impeller in galvanized sheet steel.
- External terminal box.
- Vibration isolators.
- Approved in accordance with standard EN 12101-3, with certificate no.: 0370-CPR-0580.

Motor:

- Class H motors for S1 continuous operation and S2 emergency use. With ball bearings, IP55 protection and 1 or 2 speeds, depending on model.

- Single-phase 230 V 50 Hz and three-phase 230/400 V 50 Hz (up to 3 kW) and 400/690 V 50 Hz (powers greater than 3 kW).
- Maximum temperature of air to be carried: S1 continuous operation -20 °C +60 °C, S2 operation 300 °C/2h, 400 °C/2h.

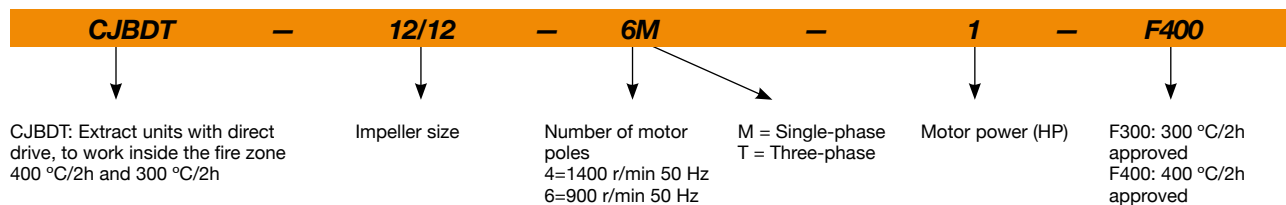
Finish:

- Anti-corrosive in galvanized steel sheet.

On request:

- Fans with circular outlet.
- Fans with vertical outlet.

Order code



Technical characteristics

Model	Speed (r/min)	Maximum admissible current (A)			Installed power (kW)	Maximum flow rate (m³/h)	Sound pressure level ¹ dB (A)	Approx. weight (Kg)
		230V	400V	690V				
CJBDT-9/9-4T	1420	2.90	1.70		0.55	3000	57	44
CJBDT-9/9-4M	1410	4.10			0.55	3000	57	44
CJBDT-10/10-4T	1420	2.90	1.70		0.55	3450	60	49
CJBDT-10/10-4M	1410	4.10			0.55	3450	60	49
CJBDT-12/12-6T-1	945	4.40	2.60		0.75	4800	57	69
CJBDT-12/12-6M-1	920	5.80			0.75	4800	57	69
CJBDT-12/12-6T-1.5	970	6.40	3.70		1.10	6200	58	71
CJBDT-12/12-6M-1.5	920	8.40			1.10	6200	58	71
CJBDT-15/15-6T	950	10.30	5.90		2.20	8250	62	110
CJBDT-18/18-6T	970		11.00	6.35	4.00	11800	64	175

¹ Irradiated sound pressure level in dB(A) at a distance of 3 m.



Erp. (Energy Related Products)

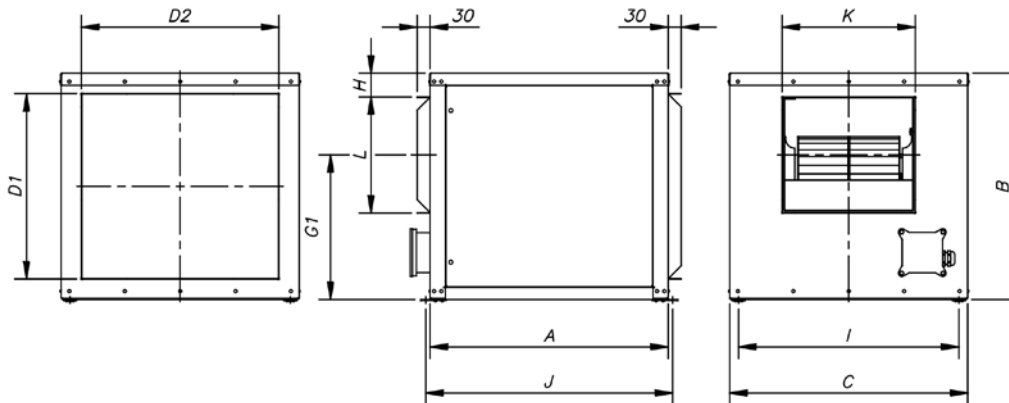
Information on Directive 2009/125/EC can be downloaded from the SODECA website or the QuickFan selector programme.

Acoustic characteristics

Irradiated sound power spectrum $L_w(A)$ in dB(A) per Hz frequency band

	63	125	250	500	1000	2000	4000	8000		63	125	250	500	1000	2000	4000	8000
CJBDT-9/9-4-0.75	51	66	70	69	68	65	65	55	CJBDT-12/12-6-1.5	52	67	71	70	69	66	66	56
CJBDT-10/10-4-0.75	54	69	73	72	71	68	68	58	CJBDT-15/15-6-3	63	72	74	76	71	70	64	55
CJBDT-12/12-6-1	51	66	70	69	68	65	65	55	CJBDT-18/18-6-5.5	64	74	76	78	73	72	66	57

Dimensions mm

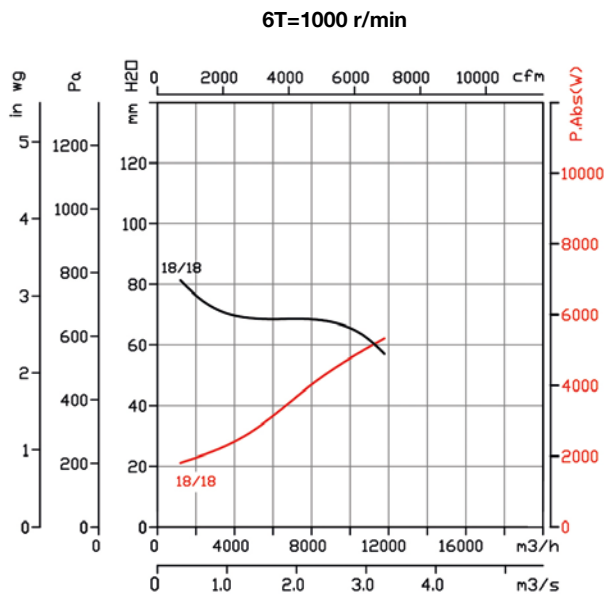
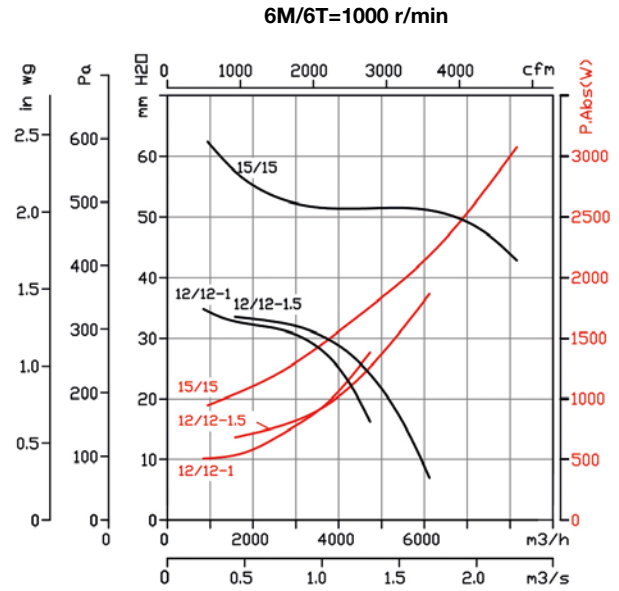
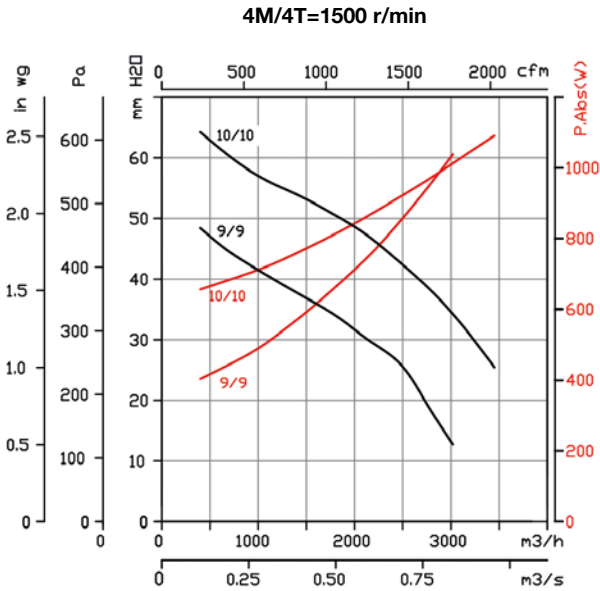


	A	B	C	D1	D2	G1	H	I	J	K	L
CJBDT-9/9	550	522	550	428	456	333.5	54.5	509	570	308	268
CJBDT-10/10	600	575	600	480	505	361.5	65.5	559	620	334	296
CJBDT-12/12	650	650	700	555	605	418	57.5	659	670	395	349
CJBDT-15/15	755	755	800	660	705	485	64	759	775	478	412
CJBDT-18/18	1000	900	1000	804	904	585	69.5	934	1041	550	491

Characteristic curves

Q= Flow rate in m³/h, m³/s and cfm

Pe= Static pressure in mm H₂O, Pa and inwg



Accessories



INT



IAT



CABLE BOX



C2V



VSD3/A-RFT
- VSD1/A-RFM



CENTRAL CO



AET



P-400



VIS