

CRL



Centrifugal medium pressure single inlet fans with backward curved impeller



Fan:

- Sheet steel casing.
- Backward curved impeller made of sheet steel.
- Maximum temperature of air to be carried: -20 °C +120 °C.

Finishing:

- Anti-corrosive finish in polyester resin, polymerised at 190 °C, after degreasing with phosphate-free nanotechnology treatment.

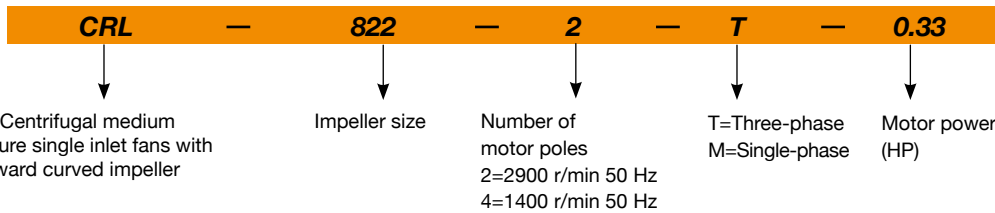
Motor:

- Motors with IE3 efficiency for powers equal to or greater than 0.75kW, except single-phase, 2-speed and 8-pole.
- Class F motors with ball bearings and IP55 protection.
- Three-phase 230/400 V 50 Hz.

On request:

- 60 Hz models.
- Special windings for different voltages.
- Fan prepared to transport air up to +250 °C.
- Stainless steel fan.

Order code



Technical characteristics

Model	Speed (r/min)	Maximum admissible current (A)		Installed power (kW)	Maximum flow rate (m³/h)	Sound pressure level dB(A)	Approx. weight (Kg)	According ErP
		230V	400V					
CRL-822-2T-0.33	2760	1.24	0.71	0.25	1350	72	19	2015
CRL-925-2T-0.5	2830	1.56	0.90	0.37	1850	75	22	2015
CRL-1028-2T-0.75	2780	2.17	1.25	0.55	2600	77	29	2015
CRL-1031-2T-1.5 IE3	2830	4.03	2.32	1.10	3600	82	41	2015
CRL-1135-2T-3 IE3	2870	7.70	4.43	2.20	5230	71	59	2015
CRL-1240-2T-4 IE3	2910	10.00	5.77	3.00	7320	90	85	2015
CRL-1240-4T-1 IE3	1420	2.82	1.62	0.75	3630	74	66	2015
CRL-1445-4T-1.5 IE3	1455	4.07	2.34	1.10	6170	78	83	2015
CRL-1650-4T-2 IE3	1450	5.48	3.15	1.50	8500	81	106	2015
CRL-1856-4T-3 IE3	1435	7.93	4.56	2.20	12080	84	132	2015

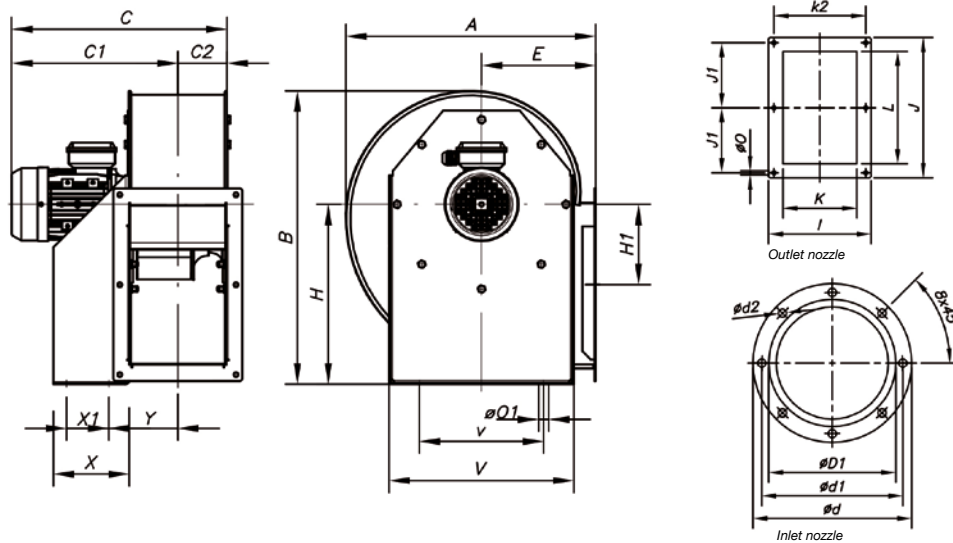
Acoustic characteristics

Sound power spectrum Lw(A) in dB(A) per Hz frequency band

Model	63	125	250	500	1000	2000	4000	8000	Model	63	125	250	500	1000	2000	4000	8000
CRL-822-2T-0.33	54	67	67	80	75	75	75	68	CRL-1240-2T-4 IE3	69	84	82	94	91	95	97	84
CRL-925-2T-0.5	58	71	71	84	79	79	79	72	CRL-1240-4T-1 IE3	57	71	77	80	80	81	71	60
CRL-1028-2T-0.75	59	72	72	85	80	80	80	73	CRL-1445-4T-1.5 IE3	60	73	79	84	81	84	79	65
CRL-1031-2T-1.5 IE3	65	78	78	91	86	86	86	79	CRL-1650-4T-2 IE3	67	77	85	87	86	88	79	69
CRL-1135-2T-3 IE3	57	64	62	74	72	78	77	64	CRL-1856-4T-3 IE3	68	77	90	86	89	90	84	70

Dimensions mm

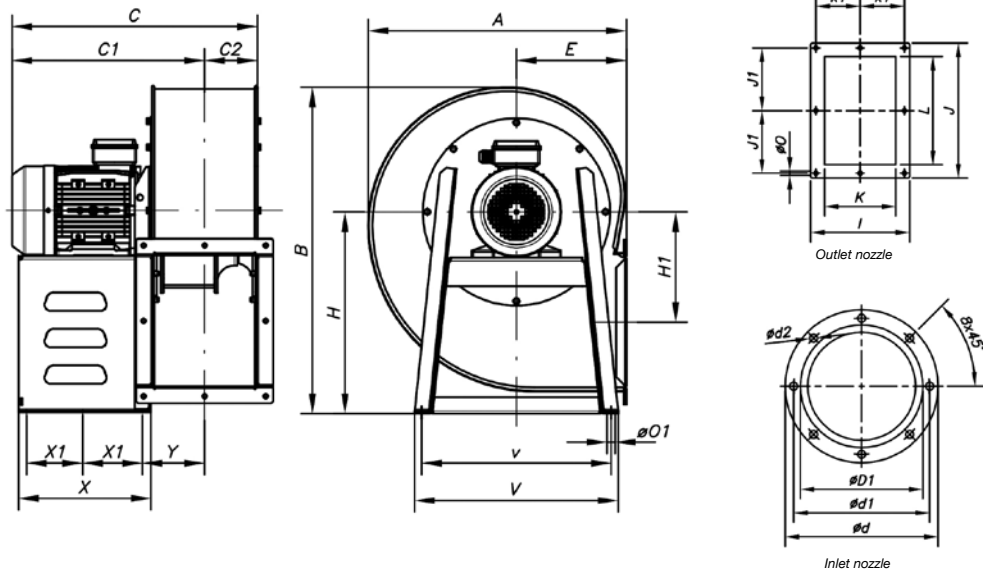
CRL-822-1028



	A	B	C	C1	C2	ØD1*	ød	Ød1	Ød2	E	H	H1	I	J	J1	K	K2	L	ØO	ØO1	V	v	X	X1	Y
CRL-822-2T	388	455	342.5	270	71.5	224	278	256	M8	180	280	134	204	282.5	128	140	180	215	9.5	10.5	290	220	114	50	105
CRL-925-2T	427	500	390	306	85	250	305	282	M8	197	310	145	229	312.5	145	165	205	250	9.5	12.5	315	228	134	74	115
CRL-1028-2T	472	550	407	315	93	280	348	320	M8	215	340	152	244	364	170	180	220	296.5	9.5	12.5	350	245	144	95	120

* Recommended nominal tube diameter

CRL-1031-1856



	A	B	C	C1	C2	ØD1*	ød	Ød1	Ød2	E	H	H1	I	J	J1	K	K1	K2	L	ØO	ØO1	V	v	X	X1	Y
CRL-1031-2T	526	630	445	340	103.5	315	382	354	M8	238	390	180	264	382.5	180	200	--	240	320	11.5	12	430	400	200	155	130
CRL-1135-2T	573.5	715	500	382.5	118	355	422	394	M8	250	450	242.5	292	342.5	159	228	133	-	280	11.5	12	485	455	245	195	145
CRL-1240-2T	635	800	585	455	130	400	464	438	M8	270	495	270	336	404	185	250	150	-	321	11.5	12	500	460	300	133.5	125
CRL-1240-4T	635	800	500	368.5	130	400	464	438	M8	270	495	270	336	404	185	250	150	-	321	11.5	12	500	460	250	200	157
CRL-1445-4T	710	900	600	412	147	450	515	485	M8	300	560	305	370	444	202	284	164	-	361	11.5	12	575	550	275	215	180
CRL-1650-4T	797	990	590	427	162.5	500	565	535	M8	345	615	313	411	544	250	315	182.5	-	451	11.5	12	640	615	275	215	195
CRL-1856-4T	900	1100	510	505	182	560	625	610	M8	395	680	325	457	660	203	355	203.5	-	560	13	12	580	550	300	240	215

* Recommended nominal tube diameter

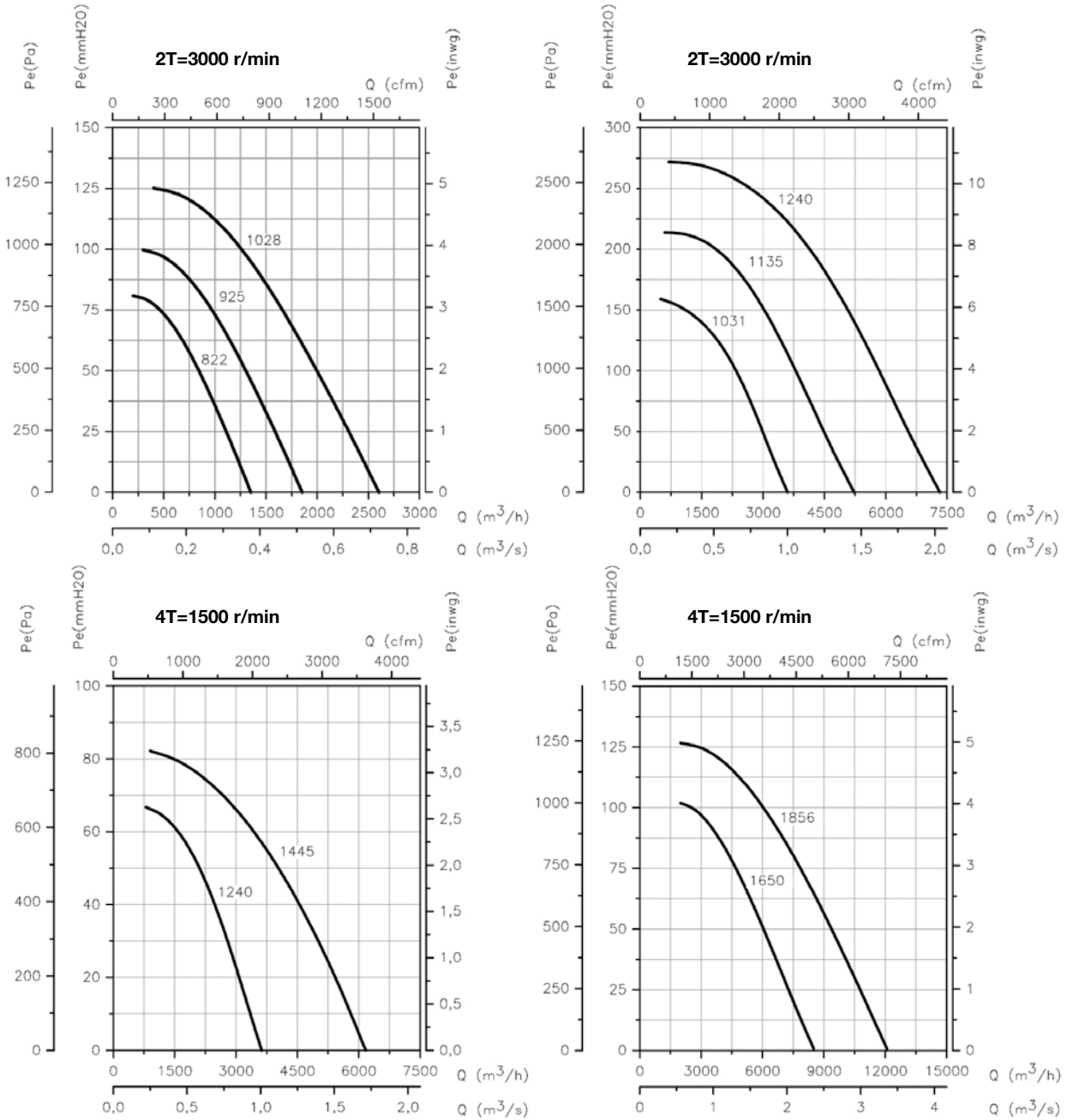


Erp. (Energy Related Products)

Information on Directive 2009/125/EC can be downloaded from the SODECA website or the QuickFan selector programme.

Characteristic curves

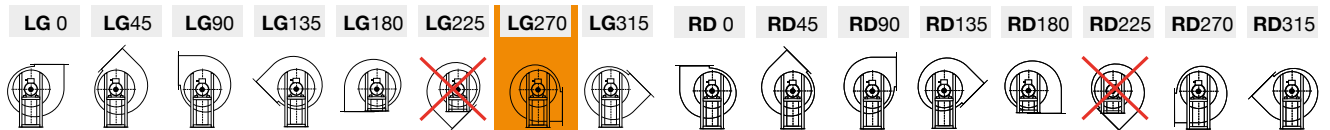
Q= Flow rate in m³/h, m³/s and cfm Pe= Static pressure in mm H₂O, Pa and inwg



SMALL SERIES

Orientations

Standard supply LG 270
 Positions LG 180 and RD 180 on request with special anchoring measurements.
 Models 822, 925, 1028 and 1031 do not admit positions LG 135 or RD 135



Accessories

